

C100, C200

*Production turning machine
for highly productive bar machining*

INDEX



better.parts.faster.

The power packs for high-speed machining

With the INDEX C100 and C200 production turning machines, new opportunities open up for high-speed production of parts turned from bar stock. Despite their

compact exterior dimensions, the INDEX C100 and C200 as 2 or 3-turret-machines offer a spacious working area for the complete machining of workpieces.

The INDEX SingleSlide guide system ensures very high dynamic response with optimum vibration damping. This has a very positive effect on workpiece quality and

tool life, with simultaneously reduced cycle times.

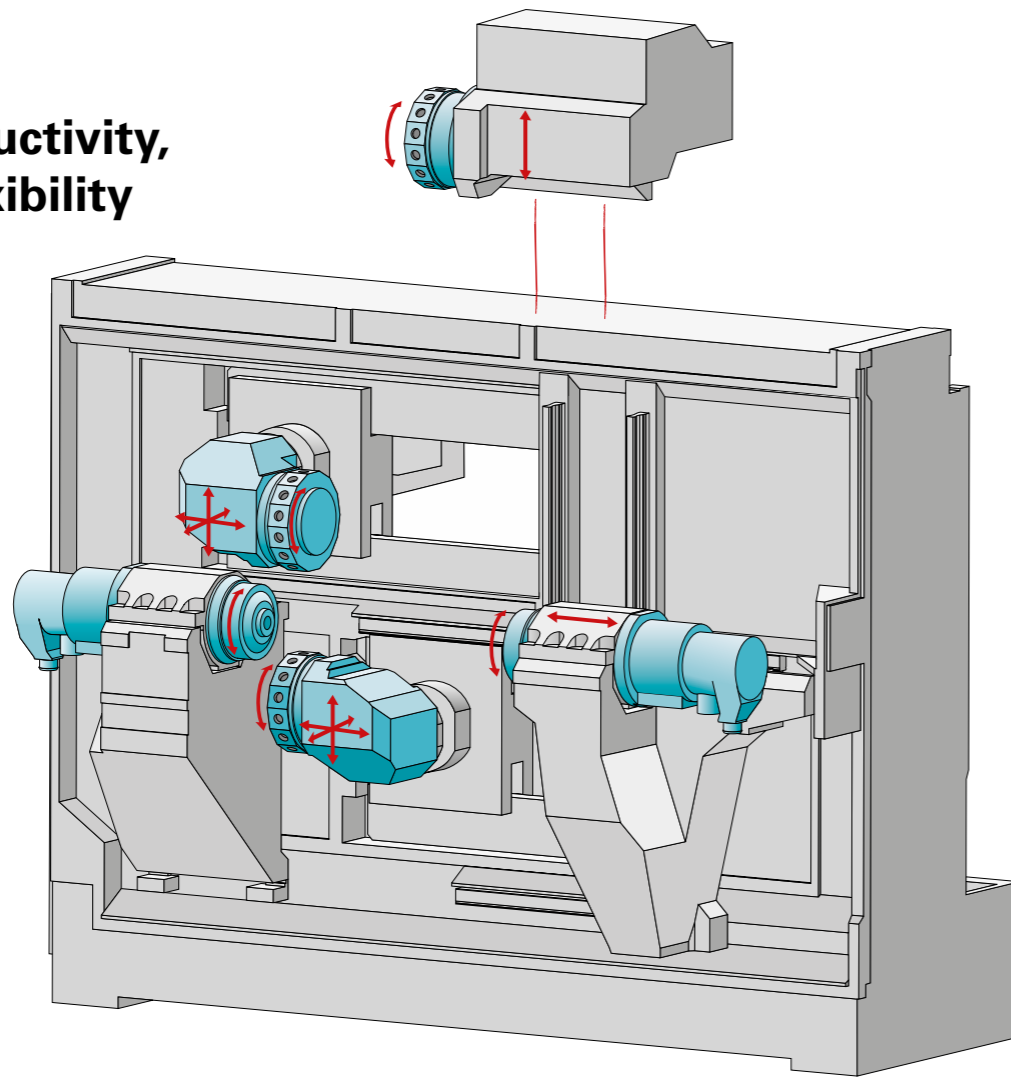


The machine concept

- Clearly structured and well-developed ergonomic work area concept
- Bar capacity C100: 42 mm / C200: 65 or 90 mm
- 2 powerful motor spindles identical in construction
- Maximal part diversity through 3 turrets and 42 tools
- High-quality backworking
- High acceleration (1g) and high rapid traverses (60 m/min)
- Quick turret indexing
- Simultaneous machining with 2 or 3 turrets
- Machining with bottom turret at main and counter spindles possible
- Very good vibration damping through INDEX SingleSlide
- Control: either Siemens 840D sl or Fanuc 31i-B

Excellent productivity, impressive flexibility

The typical INDEX added value in machine design is shown in many details of the INDEX C100 and C200 machines. Up to three turrets and a clearly structured machining area increase productivity. Further details maximize the flexibility and the possible part diversity with short setup times. The vertical design of the machine bed guarantees optimum swarf removal and ready access.



Two powerful spindles

The two powerful motor-spindles guarantee particularly efficient metal cutting. Main and counter spindles have identical design and are cooled with liquids. The rapid traverse of the counter spindle is 60 m/min (C100).

Three turrets with 42 stations

The large tool stock including max. 3 x 14 stations and the patented INDEX W-type serration guarantee short setup times even with small lot sizes. The extremely high dynamics and the quick turret indexing lower the chip-to-chip times.

Two Y axes for optimum division of work

2 Y axes at the main spindle or 1 each at the main and counter spindles are possible. This allows an optimum division even of complex operations and a reduction of cycle times.

Integrated handling system for parts removal

The integrated gantry-type removal unit guarantees quick workpiece removal without damage to the workpiece. In addition, the bar remnant can be removed separately from the main spindle.

- C100:
ø 42 mm: 7000 rpm
- C200:
ø 65 mm: 6000 rpm
ø 90 mm: 3500 rpm

- Only the tool currently in use is driven – at full metal-cutting performance
- C100: 8000 rpm, 6.2 kW
- C200: 8000 rpm, 10 kW

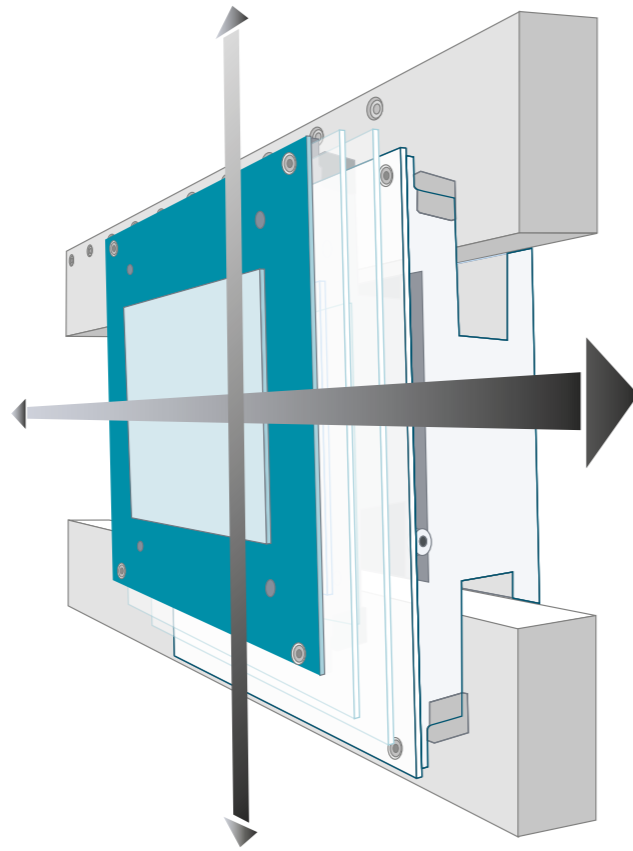
- Simultaneous machining on both spindles
- C100: 70 mm Y axis travel
- C200: 100 mm Y axis travel
- Stable quill guide

- Removal of workpiece / remnant possible on main and counter spindles
- Rapid traverse 100 m/min



INDEX SingleSlide: Better and clearly faster machining

The market is requesting production turning machines that provide shorter cycle times, higher tool lives and work more economically. The INDEX C100 and C200 meet these requirements to a high degree. With INDEX SingleSlide, slideway with two degrees of freedom in one plane, the INDEX C100 and C200 have many advantages compared with conventional machines.



Advantages

Higher workpiece quality because of better guidance

INDEX SingleSlide is an innovative slideway composed of guide strips with wear- and friction-reduced coating and hardened and surface-treated guide plates.

Longer tool lives because of increased damping

The INDEX SingleSlide concept substantially increases the damping properties compared with conventional systems. Superior properties resulting in further advantages, such as tool lives increased by up to 30 % and higher surface quality.

Higher rapid traverses and accelerations because of higher dynamics

The turret slides move on flat innovative slideways in the X and Z directions. The two directions of movement are in one traversing plane. The low weight of the single-piece cross slide makes it possible to reach rapid traverses of up to 60 m/min and accelerations of up to 1g.

Higher metal-cutting performance because of increased rigidity

In conventional linear guideways, it is customary for one drive to support the other one. This differs from the INDEX SingleSlide. Two degrees of freedom in one plane of movement produce high rigidity, thus guaranteeing maximum metal-cutting performance.



With intelligent cooling concept: efficient use of energy

The INDEX C100 and C200 production turning machines are convincing with a well thought-through cooling concept. Lost heat that is generated in the spindles, the hydraulic unit and the switching cabinet is discharged via a central fluid circuit from the machine.

The energy is bound in one single medium and not given off to the surrounding area of the machine.

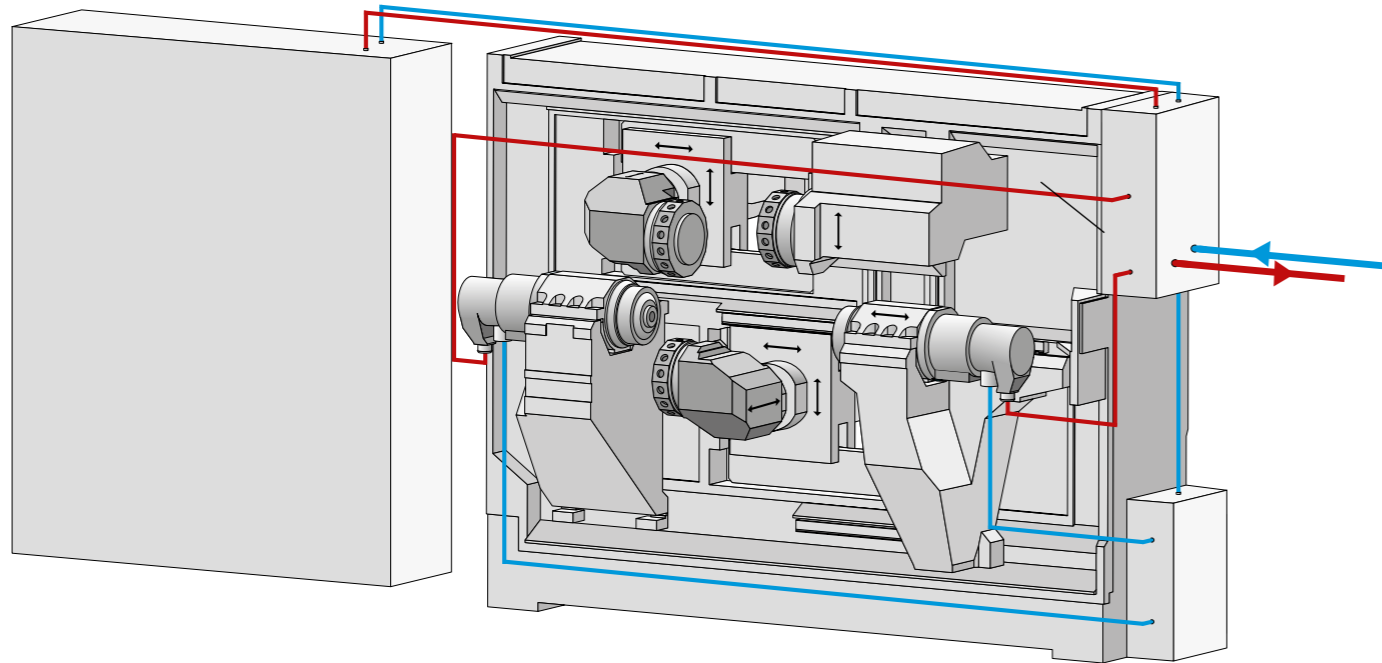
The discharge: locally or centrally.

The innovation from INDEX: You decide which cooling concept you want to use.

The design of the INDEX C100 and C200 with an integrated water interface permits two solutions for conducting heat: either the connection to a local cooling unit or to a central system.

This means that you can adapt the machine ideally to your production environment.

Irrespective of which variant you choose, optimum cooling will be achieved at all times.



High manufacturing precision

Using a consistent cooling concept, spindles, hydraulics and switching cabinet are cooled. The heat energy is discharged effectively, and the temperature stability is improved. In this way, a precise and reliable machining process is supported.

Improved working climate

It is also advantageous that the cooling can be done away from the production. The noise and heat emissions are thus minimized, and your staff are not subject to stress unnecessarily.

Safe investment

Whether centralized or decentralized, the cooling concept of the INDEX C100 and C200 is cost-effective at all times. You decide which variant matches your production environment best. The solution on the basis of a central system offers the advantage that more than one machine can be connected.

Higher reliability

The innovative construction makes it possible to do without components that used to be customary with conventional cooling principles, such as fans and temperature sensors. This enhances availability and increases profitability. The space required is also reduced.



Robot cell *Xcenter*

Intelligent automation – even more flexibility and efficiency

With the optional robotic cell iXcenter, blanks and/or finished parts can be supplied and discharged quickly, safely and flexibly. The robot cell is integrated ergonomically into the machine. It can be moved easily to the right during the setup process, allowing unobstructed access to the work area. During production, the iXcenter is fixed in front of the machine's work area. The robot then accesses the work area via the sliding guard of the machine, which opens automatically behind the robot cell.



Ready to Go

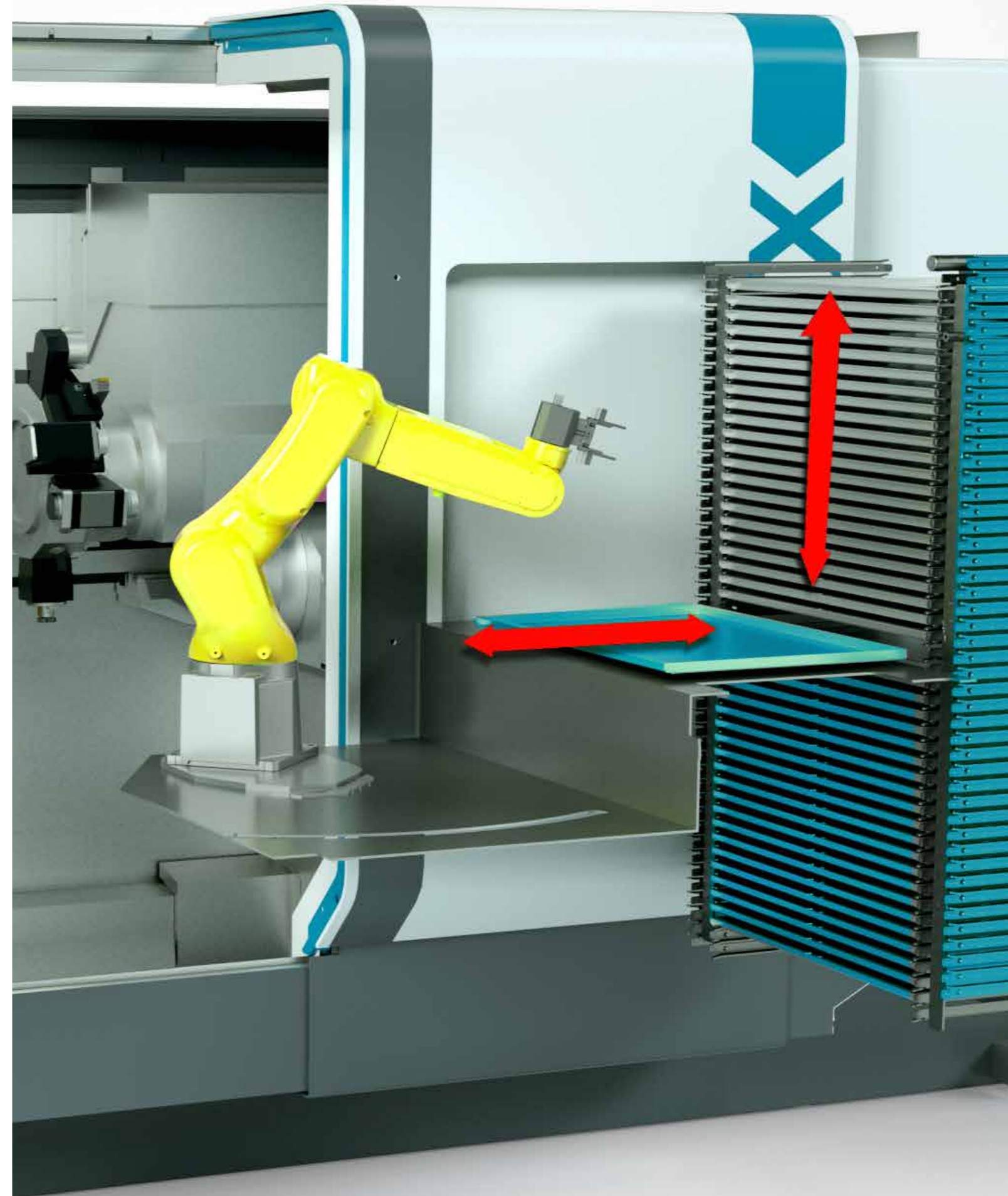
- 6-axis robot for up to 7 kg payload with integrated gripper control
- Double gripper included in the standard
- 22 pallets (without workpiece-specific inlays) are included in the standard
- Easy in-house relocation

Using more potentials

Subsequent processes such as cleaning, measuring, deburring etc. can be integrated in the robot cell.

Simply good handling of blanks and finished parts

- Space-saving vertical storage with up to 22 pallets stacked up
- Pallet size 600 x 400 mm
- Minimal pallet height 25.4 mm
- Pallets with blanks are loaded at the bottom, pallets with finished parts are removed at the top – at any time without interrupting production
- Pallets are inserted/removed by the robot
- Easy macro-programming





The cockpit for easy integration of the machine in your business organization.

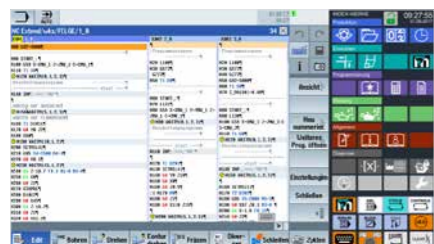


Focus on production and control – Industry 4.0 included.

The iXpanel operating concept provides access to networked production. With iXpanel, your staff always has all relevant information for efficient production right at the machine. iXpanel is already included in the standard and can be individually extended. You can use iXpanel as you want it for your business organization – that's Industry 4.0 tailored to your needs.

Future-proof.

iXpanel integrates the latest control generation SIEMENS S840D sl. Use iXpanel intuitively through an 18.5" touch monitor.



Productive.

Maximum performance through comprehensive technology cycles and programming screens, e.g., for optimum turning, milling and drilling, especially when using several tools simultaneously.

Intelligent.

The machine always starts with the control home screen. Other functions can always be displayed on a second screen, and the operator enjoys direct, activity-related assistance already in the standard version, such as workpiece drawings, setup lists, programming tools, documentations.

Virtual & open.

With the optional VPC box (industrial PC), iXpanel opens up the world of Virtual Machine with the 3 operating modes

- CrashStop
- RealTime mode
- Independent simulation (VM on board) directly on the control.

Thanks to the VPC box, the machine can be integrated into your IT structure without restrictions.

index-traub.com/ixpanel



18.5" TOUCHSCREEN MONITOR

STANDARD included as standard

OPTION

Industry 4.0 features

- Order documents
- Customer data
- Workpiece counter
- Production Status
- Drawings
- Setup sheet
- Notes
- Information center
- Maintenance & care
- User management
- Technology computer
- Programming help

- VPC Box
- Virtual machine 3D simulation
- VirtualPro Programming Studio
- Custom applications

+ many more standard features

The control: simple and well-known – the FANUC standard

FANUC Control 31i-B – the future-proof standard control

All advantages at a glance:

- Control of the latest FANUC series (31iB)
- FANUC control panel with CNC keyboard and 15" touchscreen monitor
- Original FANUC machine control panel with axis and spindle override
- Electronic handwheel integrated in machine control panel (standard)
- Memory for 1000 part programs

- File system for structured program storage
- USB interface and CARD reader at the control panel
- Advanced operator safety by FANUC Dual Check Safety
- Protection level concept for defined access rights

INDEX enhancements and additions

Individual keys on the control panel with direct access to the following functions:

- Turret indexing / Single station (CCW/CW)
- Setup / Production (key removable in "Production" position)
- Cycle Start / Cycle Stop
- Consent function
- Open workpiece clamping

- INDEX-specific enhancements of the user interface for easier machine operation, program and parameter input, machine monitoring
- Sensorless tool monitoring based on motor current
- Freely programmable interface for adjusting external (automation) devices to the machine (e.g., handling system)
- Lateral "INDEX Hotkey" bar for quick navigation



Programming

- Text editor with Insert, Overwrite, Find, Replace, Copy, and Delete functions
- Annotating NC programs
- NC program numbers or NC program names
- Up to 3 M functions possible per NC block
- Arithmetic and trigonometric computing operations
- Parameter calculation and reading/loading of system data
- Manual Guide i, Workshop Programming (option)

Technology

- Standard cycles for turning and milling
- Cutting longitudinal, transverse and tapered threads with constant or variable pitch
- Threading without compensating chuck (up to $n_{max} = 2000$ rpm)
- TRANSMIT and cylinder surface interpolation
- Oriented spindle stop
- Minimum input/output unit 0.0001 mm or 0.00001"
- Program sequence with handwheel (option)

Program input/output

- Program input via control keyboard
- USB port
- Memory card
- ETHERNET-interface
- Input switchable between metric/inch for
 - Program entry
 - Programmed travel movements
 - Tool offsets
 - Screen display
- Three-channel program display and editor

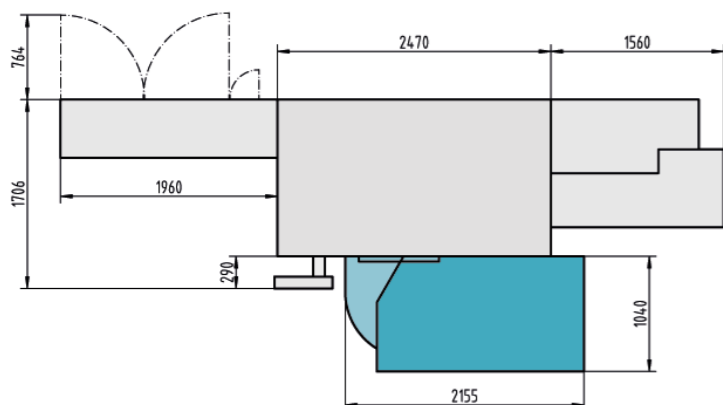
Production

- Absolute measuring systems in all axes, i.e. no referencing required
- Electronic tool offset in X, Z
- Total number-of-parts counter
- Counter for setting the order batch size
- Tool breakage monitoring
- Operating data signals
- Warm-up control
- Channel lock for easy run-in of individual channels



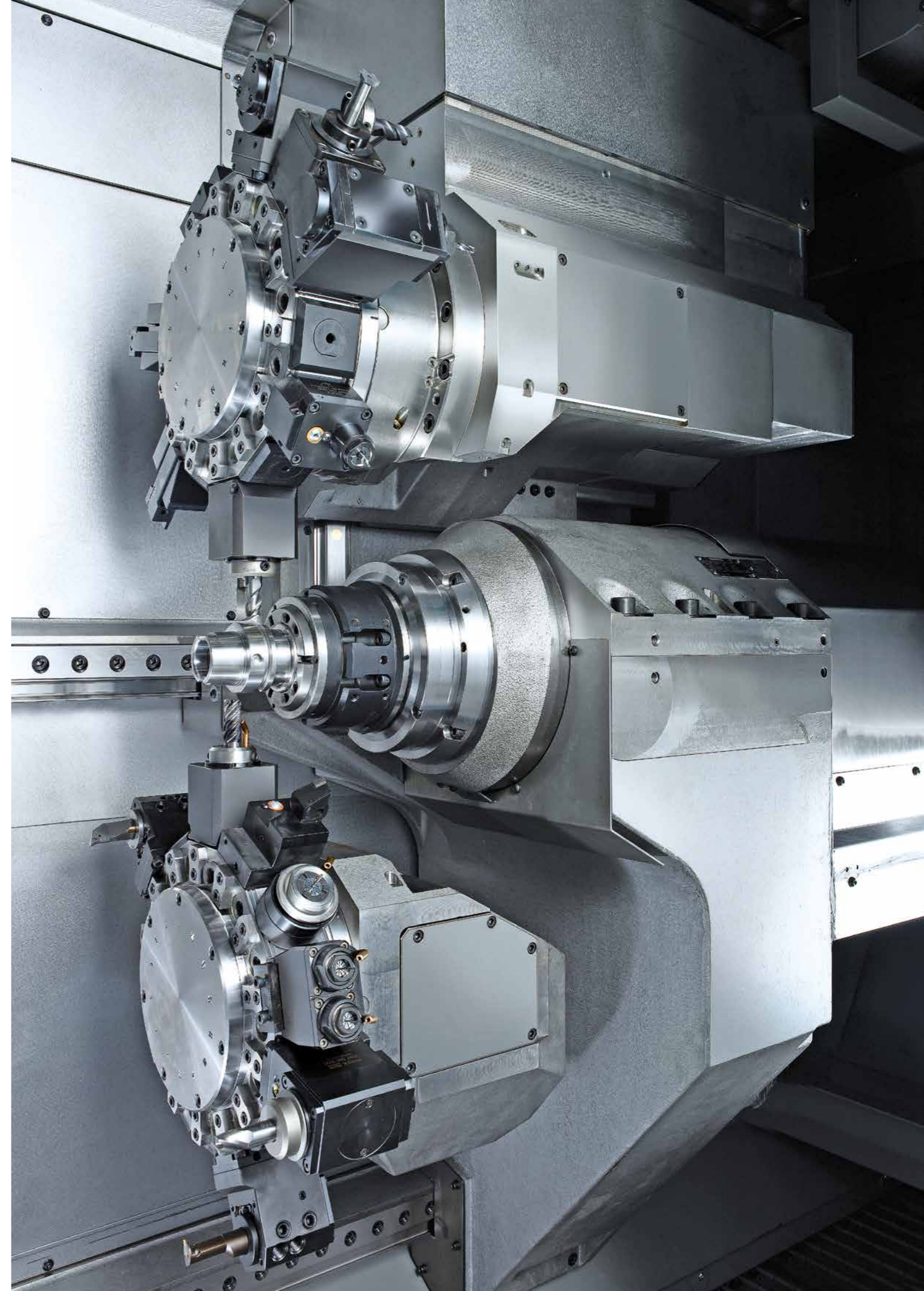
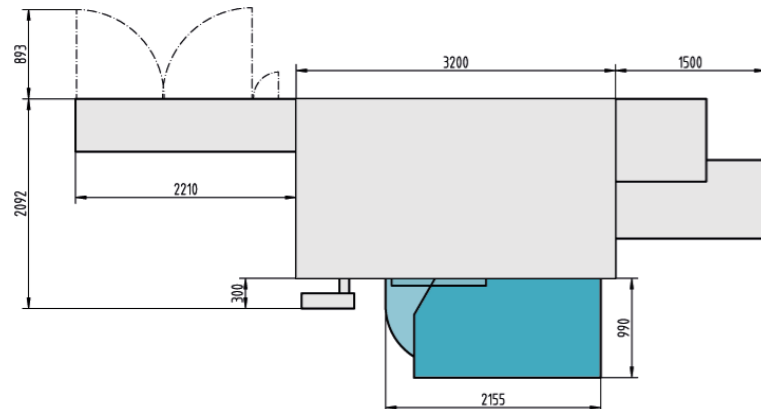
Technical data INDEX C100

	Siemens			FANUC		
Working area						
Turning length	mm (inch)	400 (15.7)		400 (15.7)		
Main spindle						
Bar capacity	mm (inch)	42 (1.7)		42 (1.7)		
Speed	rpm	7000		7000		
Power at 100%/40%	kW (hp)	25/29 (33.5/38.9)		25/29 (33.5/38.9)		
Torque at 100%/40%	Nm (ft lbs)	49/65 (36.2/48)		49/65 (36.2/48)		
Chuck diameter	mm (inch)	110 (4.3)		110 (4.3)		
Spindle head ISO 702/1	size	A5		A5		
C axis resolution	degrees	0.001		0.001		
Counter spindle						
Bar capacity	mm (inch)	42 (1.7)		42 (1.7)		
Speed	rpm	7000		7000		
Power at 100%/40%	kW (hp)	16.5/19 (22.1/25.5)		16.5/19 (22.1/25.5)		
Torque at 100%/40%	Nm (ft lbs)	32/43 (23.6/31.7)		32/43 (23.6/31.7)		
Chuck diameter	mm (inch)	110 (4.3)		110 (4.3)		
Spindle head ISO 702/1	size	A5		A5		
C axis resolution	degrees	0.001		0.001		
Counter spindle slide						
Z						
Slide travel	mm (inch)	505 (19.9)		505 (19.9)		
Rapid traverse	m (inch) / min	60 (2360)		60 (2360)		
Turret						
VDI 20 VDI 25 VDI 20 VDI 25						
Number of stations		14		10		
Tool system DIN 69880	mm (inch)	20 x 40 (0.8 x 1.6)		25 x 48 (1 x 1.9)		
Tool drive speed	rpm	8000		8000		
Power at 25%	kW (hp)	6.2 (8.3)		6.2 (8.3)		
Torque at 25%	Nm (ft lbs)	11 (8.1)		11 (8.1)		
Tool carrier 1 (top left)						
X Z Y X Z Y						
Slide travel	mm (inch)	70 (2.8)	250 (9.9)	70 (2.8)	250 (9.9)	70 (2.8)
Rapid traverse	m (inch) / min	30 (1180)	60 (2360)	15 (590)	30 (1180)	60 (2360)
Tool carrier 2 (bottom)						
X Z Y X Z Y						
Slide travel	mm (inch)	70 (2.8)	400 (15.8)	70 (2.8)	400 (15.8)	70 (2.8)
Rapid traverse	m (inch) / min	30 (1180)	60 (2360)	15 (590)	30 (1180)	60 (2360)
Tool carrier 3 (optional top right)						
X						
Slide travel	mm (inch)	125 (4.9)		125 (4.9)		
Rapid traverse	m (inch) / min	30 (1180)		30 (1180)		
Workpiece discharging unit						
Workpiece weight	kg (lbs)	2 (4.4)		2 (4.4)		
Weight and connecting power with maximum configuration						
Weight	kg (lbs)	5500 (12125)				
Connecting power		57 kW, 68 kVA, 97 A, 400 V, 50/60 Hz				
Length x Width x Height	mm	5990 x 1706 x 2138				
Control		Siemens S840D sl			FANUC 31i-B	



Technical data INDEX C200

	Siemens			FANUC		
Working area						
Distance main and counter spindles	mm (inch)	550 (21.6)		550 (21.6)		
Main spindle						
Bar capacity	mm (inch)	65 (2.6)	90 (3.5)	65 (2.6)		
Speed	rpm	max. 6000	3500	max. 6000		
Power at 100%/40%	kW (hp)	31.5/32 (42.3/43)	29/40 (38.9/53.6)	31.5/32 (42.3/43)		
Torque at 100%/40%	Nm (ft lbs)	125/170 (92.2/125.4)	142/207 (104.8/152.8)	125/170 (92.2/125.4)		
Chuck diameter	mm (inch)	160 (6.3)	-	160 (6.3)		
Spindle head ISO 702/1	size	140 mm (5.5 inch)	A8	140 mm (5.5 inch)		
C axis resolution	degrees	0.001	0.001	0.001		
Counter spindle						
Bar capacity	mm (inch)	65 (2.6)	90 (3.5)	65 (2.6)		
Speed	rpm	6000	3500	6000		
Power at 100%/40%	kW (hp)	31.5/32 (42.3/43)	29/40 (38.9/53.6)	31/32 (41.5/43)		
Torque at 100%/40%	Nm (ft lbs)	125/170 (92.2/125.4)	142/207 (104.8/152.8)	125/170 (92.2/125.4)		
Chuck diameter	mm (inch)	160 (6.3)	-	160 (6.3)		
Spindle head ISO 702/1	size	140 mm (5.5 inch)	A8	140 mm (5.5 inch)		
C axis resolution	degrees	0.001	0.001	0.001		
Counter spindle slide						
		Z		Z		
Slide travel	mm (inch)	700 (27.6)		700 (27.6)		
Rapid traverse	m (inch) / min	50 (1969)		50 (1969)		
Turret						
		VDI 25		VDI 30		
Number of stations		14	10	14	10	
Tool system DIN 69880	mm (inch)	25 x 48 (1 x 1.9)	30 x 55 (1.2 x 2.2)	25 x 48 (1 x 1.9)	30 x 55 (1.2 x 2.2)	
Tool drive speed	rpm	8000	8000	8000	8000	
Power at 25%	kW (hp)	10 (13.4)	10 (13.4)	10 (13.4)	10 (13.4)	
Torque at 25%	Nm (ft lbs)	16 (11.8)	16 (11.8)	16 (11.8)	16 (11.8)	
Tool carrier 1 (top left)						
		X		Z		Y
Slide travel	mm (inch)	110 (4.3)	320 (12.6)	100 (4)	110 (4.3)	320 (12.6) 100 (4)
Rapid traverse	m (inch) / min	30 (1180)	50 (1969)	15 (590)	30 (1180)	50 (1969) 15 (590)
Tool carrier 2 (bottom)						
		X		Z		Y
Slide travel	mm (inch)	110 (4.3)	550 (21.7)	100 (4)	110 (4.3)	550 (21.7) 100 (4)
Rapid traverse	m (inch) / min	30 (1180)	50 (1969)	15 (590)	30 (1180)	50 (1969) 15 (590)
Tool carrier 3 (optional top right)						
		X		X		
Slide travel	mm (inch)	180 (7.1)		180 (7.1)		
Rapid traverse	m (inch) / min	30 (1180)		30 (1180)		
Workpiece discharging unit						
Workpiece weight	kg (lbs)	3.5 (7.7)		3.5 (7.7)		
Weight and connecting power with maximum configuration						
Weight	kg (lbs)	9000 (19841)				
Length x Width x Height	mm	6910 x 2092 x 2490				
Connecting power		72 kW, 84 kVA, 122 A, 400 V, 50/60 Hz				
Control						
		Siemens S840D sl			FANUC 31i-B	



BRAZIL | Sorocaba
INDEX Tornos Automaticos Ind. e Com. Ltda.
Rua Joaquim Machado 250
18087-280 Sorocaba - SP
Phone +55 15 2102 6017
info@index-traub.com.br
www.index-traub.com.br

CHINA | Shanghai
INDEX Trading (Shanghai) Co., Ltd.
No. 526, Fute East 3rd Road
Shanghai 200131
Phone +86 21 54176637
info@index-traub.cn
www.index-traub.cn

CHINA | Taicang
INDEX Machine Tools (Taicang) Co., Ltd.
1-1 Fada Road, Building no. 4
Ban Qiao, Cheng Xiang Town
215413 Taicang, Jiangsu
Tel.: +86 512 5372 2939
info@index-traub.cn
www.index-traub.cn

DENMARK | Langeskov
INDEX TRAUB Danmark
Havretoften 1
5550 Langeskov
Phone +45 30681790
info@index-traub.dk
www.index-traub.dk

GERMANY | Esslingen
INDEX-Werke GmbH & Co. KG Hahn & Tessky
Plochinger Strasse 92
73730 Esslingen
Tel. +49 711 3191-0
info@index-werke.de
www.index-werke.de

GERMANY | Deizisau
INDEX-Werke GmbH & Co. KG Hahn & Tessky
Plochinger Strasse 44
73779 Deizisau
Tel. +49 711 3191-0
info@index-werke.de
www.index-werke.de

GERMANY | Reichenbach
INDEX-Werke GmbH & Co. KG Hahn & Tessky
Hauffstrasse 4
73262 Reichenbach
Tel. +49 7153 502-0
info@index-werke.de
www.index-werke.de

FINLAND | Helsinki
INDEX TRAUB Finland
Hernepellontie 27
00710 Helsinki
Phone +358 10 843 2001
info@index-traub.fi
www.index-traub.fi

FRANCE | Paris
INDEX France S.à.r.l
12 Avenue d'Ouessant / Bâtiment I
91140 Villebon-sur-Yvette
Phone +33 1 69 18 76 76
info@index-france.fr
www.index-france.fr

FRANCE | Bonneville
INDEX France S.à.r.l
399, Av. de La Roche Parnale
74130 Bonneville Cedex
Phone +33 4 50 25 65 34
info@index-france.fr
www.index-france.fr

NORWAY | Oslo
INDEX TRAUB Norge AB
Liadammen 23
1684 Vesterøy
Phone +47 93080550
info@index-traub.se
www.index-traub.no

RUSSIA | Togliatti
INDEX RUS
Lesnaya Street 66
445011 Togliatti
Phone +7 848 269 16 00
info@index-rus.ru
ru.index-traub.com

SWEDEN | Stockholm
INDEX TRAUB Nordic AB
Fagerstagatan 2
16308 Spånga
Phone +46 8 505 979 00
info@index-traub.se
www.index-traub.se

SWITZERLAND | St-Blaise
INDEX Werkzeugmaschinen (Schweiz) AG
Av. des Pâquiers 1
2072 St-Blaise
Tel. +41 32 756 96 10
info@index-traub.ch
www.index-traub.ch

SLOVAKIA | Malacky
INDEX Slovakia s.r.o.
Vínohrádok 5359
901 01 Malacky
Phone +421 34 286 1000
info@index-traub.sk
www.index-traub.sk

U.S.A. | Noblesville
INDEX Corporation
14700 North Pointe Boulevard
Noblesville, IN 46060
Phone +1 317 770 6300
info@index-usa.com
www.index-usa.com

Visit us on our social media channels:



better.parts.faster.

INDEX
TRAUB

**INDEX-Werke GmbH & Co. KG
Hahn & Tessky**

Plochinger Strasse 92
73730 Esslingen

Phone +49 711 3191-0
Fax +49 711 3191-587
info@index-werke.de
www.index-werke.de